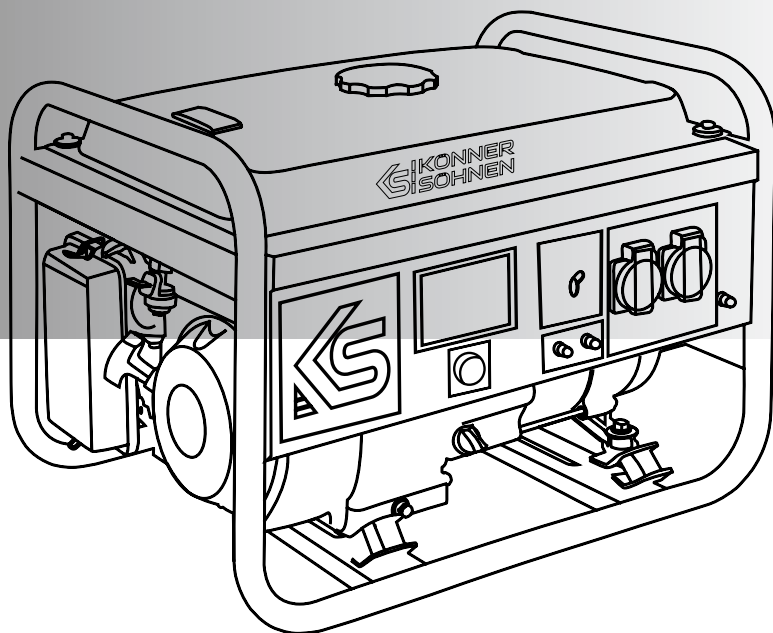


## GASOLINE GENERATOR EXPLODED VIEW

KS 3000E, KS 3900E G



TRADITIONELLE DEUTSCHE QUALITÄT

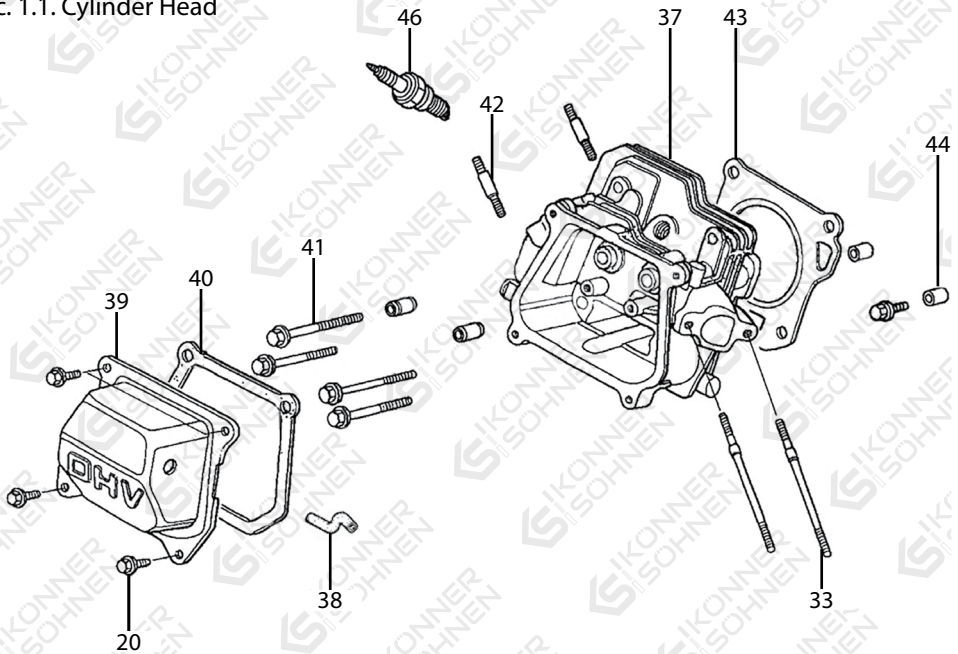
# CONTENTS

1. Parts of engine	2
2. Parts of starter motor	6
3. Parts of alternator	7
4. Parts of panel	8
5. Parts of lpg gearbox	8
6. Parts of cover shell	9
7. Parts of fuel tank	9
8. Whole set, gasoline engine	10
9. Electric scheme	19

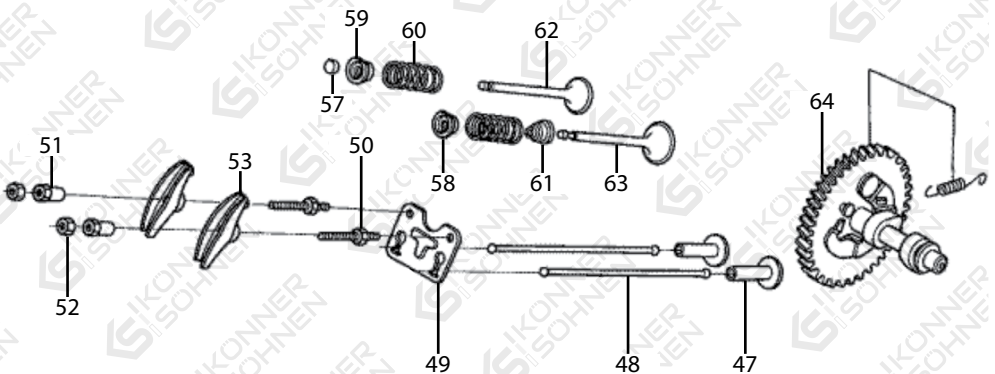
! This material is for informational purposes only and is not an instruction. The connection of the equipment in each case must be performed by a certified electrician, in accordance with local laws and regulations. Before connecting, we urge you to read the recommendations in the manual for the generator. The manufacturer is not responsible for improper connection of equipment, and is not responsible for possible material and physical damage that may occur as a result of improper installation, connection or operation of equipment.

# 1. PARTS OF ENGINE

Pic. 1.1. Cylinder Head

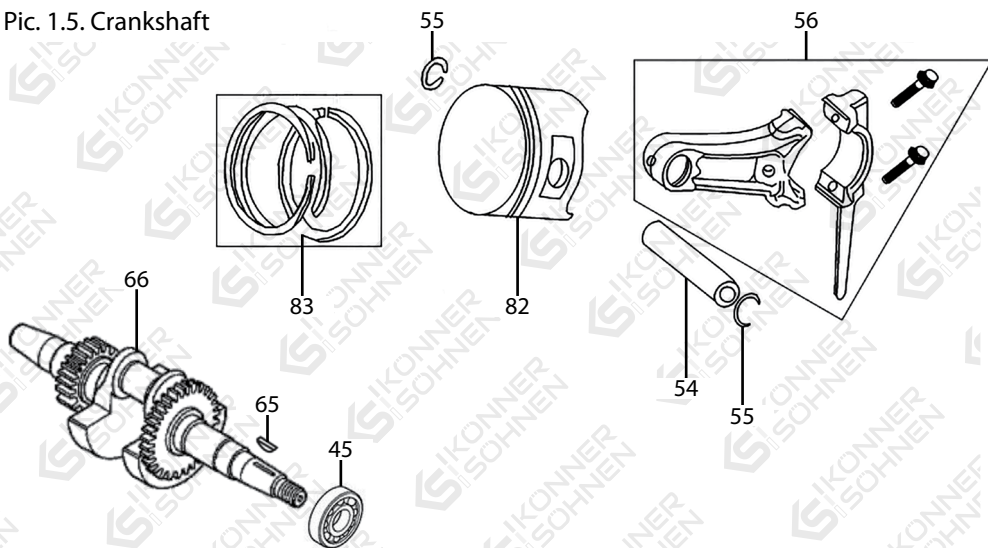


Pic. 1.2. Camshaft Assy

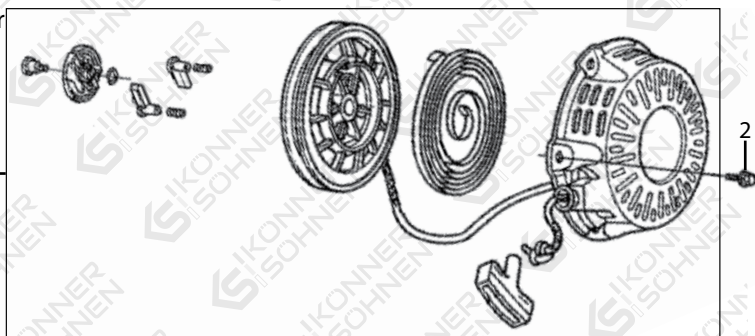




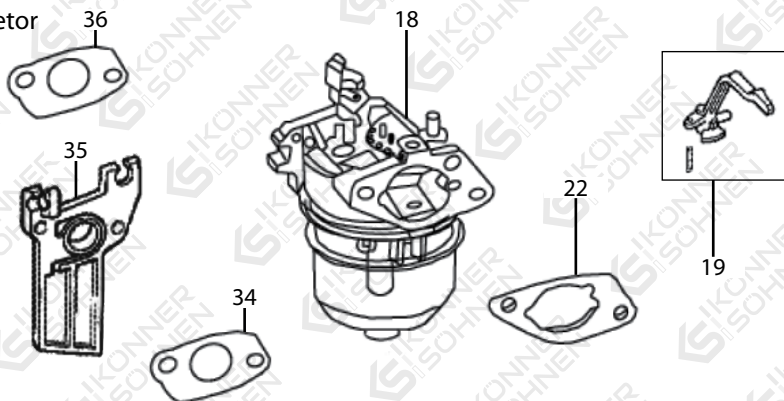
Pic. 1.5. Crankshaft



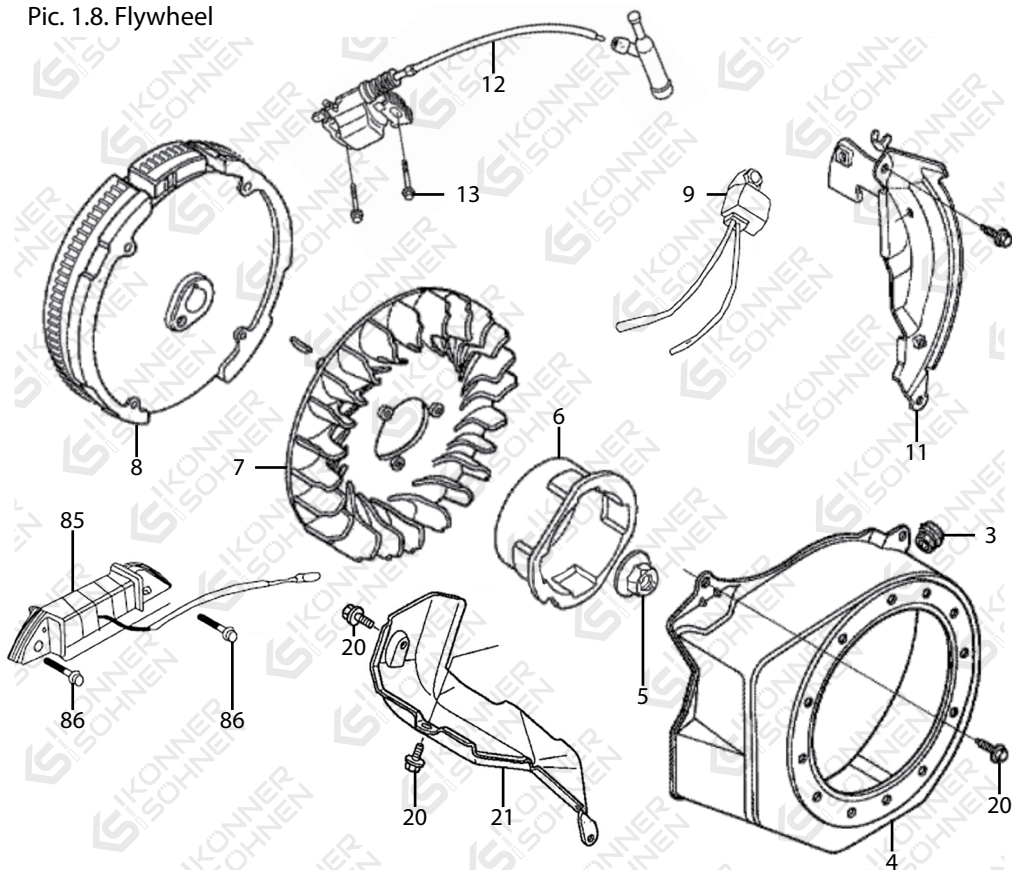
Pic. 1.6. Recoil Starter



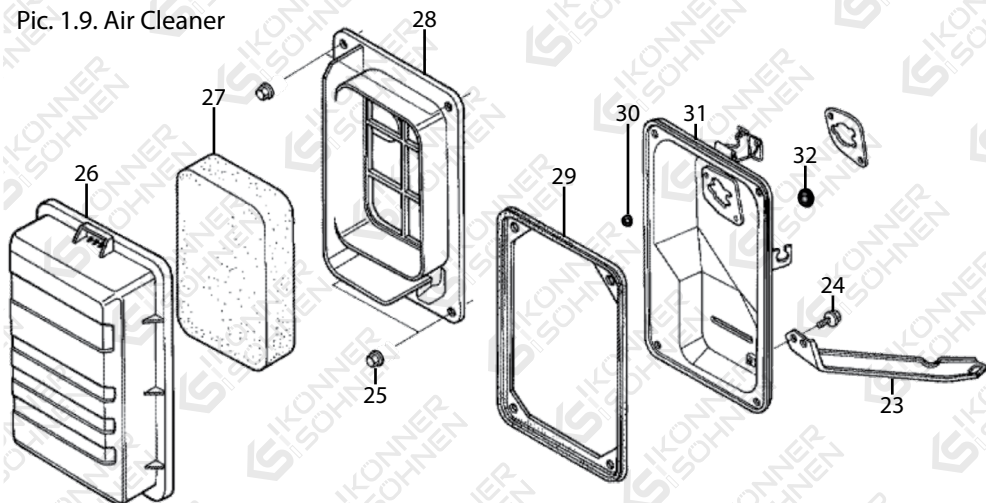
Pic. 1.7. Carburetor



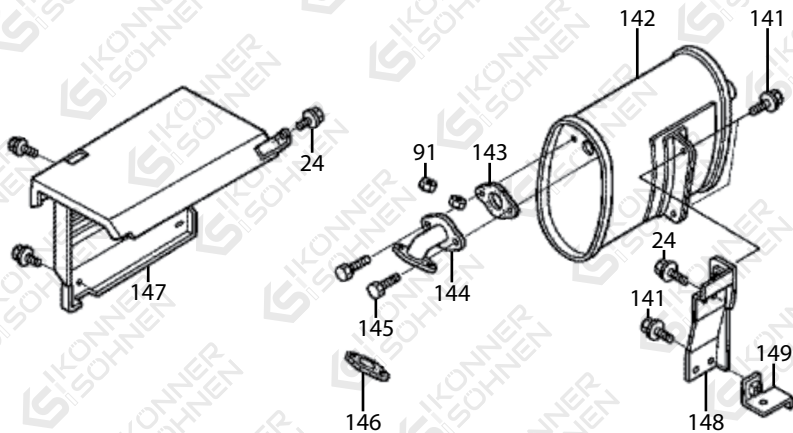
Pic. 1.8. Flywheel



Pic. 1.9. Air Cleaner

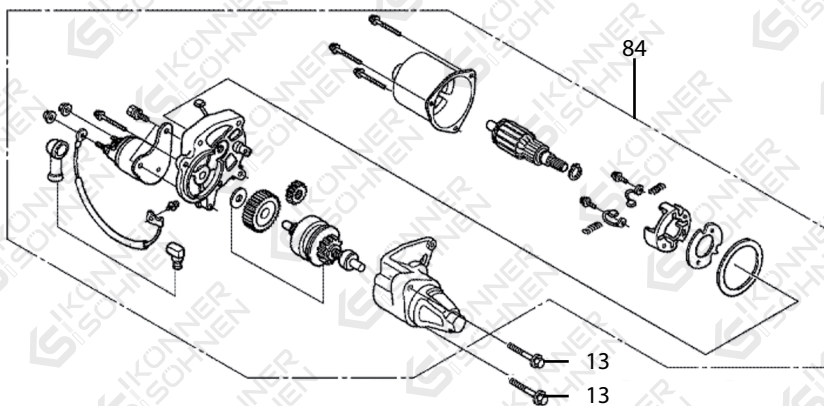


Pic. 1.10. Muffler



## 2. PARTS OF STARTER MOTOR

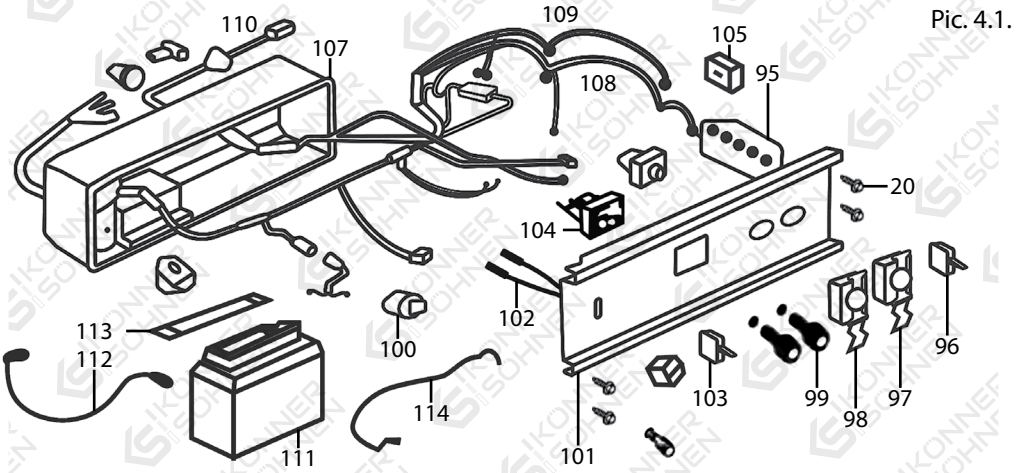
Pic. 2.1.





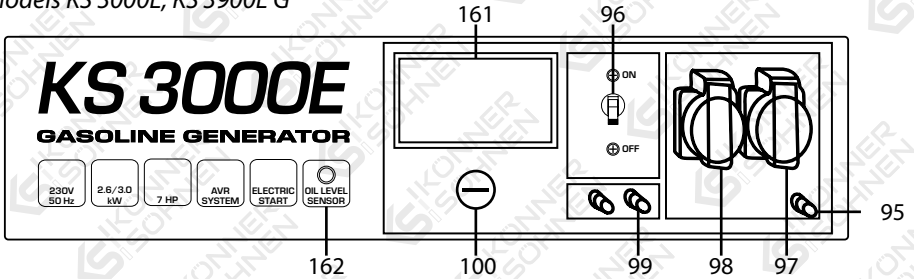


## 4. PARTS OF PANEL

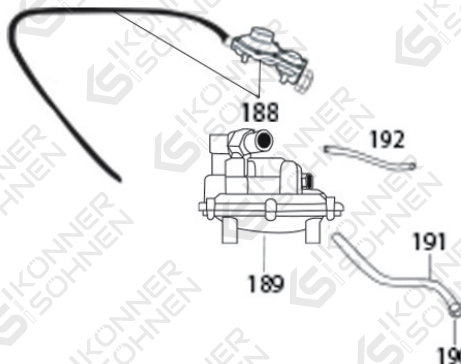


Pic. 4.2.

For models KS 3000E, KS 3900E G

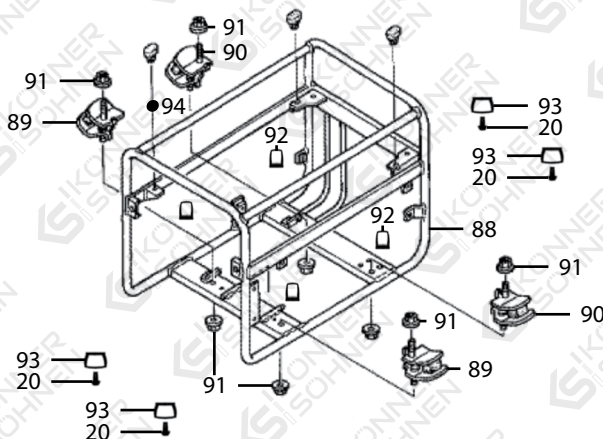


## 5. PARTS OF LPG GEARBOX



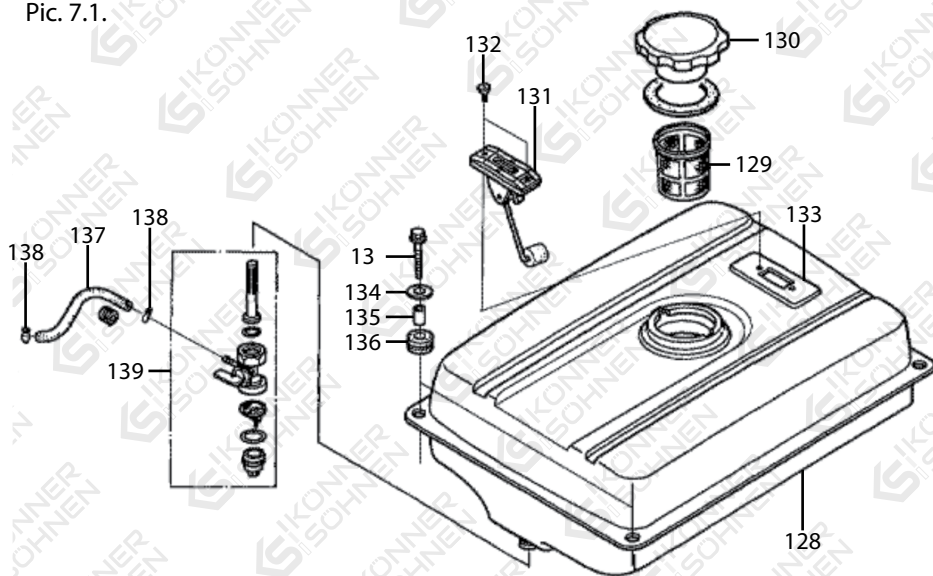
## 6. PARTS OF COVER SHELL

Pic. 6.1.



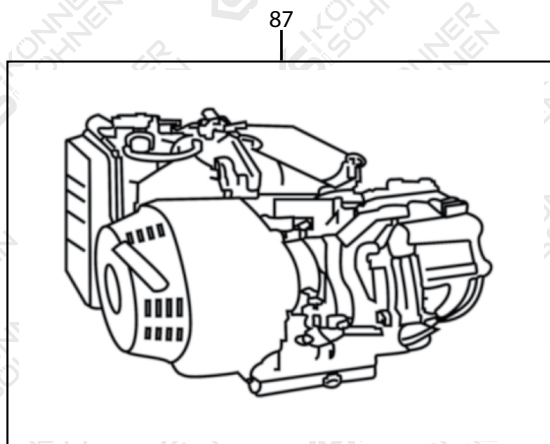
## 7. PARTS OF FUEL TANK

Pic. 7.1.



## 8. WHOLE SET, GASOLINE ENGINE

Pic. 8.1.



No	REF. No	DESCRIPTION	QTY
1	KS 3000E-01	Recoiler COMP	1
2	KS 3000E-02	Flange Bolt. M6*8	4
3	KS 3000E-03	Grommet Drain Hole	1
4	KS 3000E-04	Covering Fan COMP	1
5	KS 3000E-05	Flange, Nut M14	1
6	KS 3000E-06	Starting Pulley	1
7	KS 3000E-07	Cooling Fan	1
8	KS 3000E-08	Flywheel COMP	1
9	KS 3000E-09	Diode	1
10	KS 3000E-10	Clip, Oil blocker	1
11	KS 3000E-11	Side Plate	1
12	KS 3000E-12	Coil ASSY, Ignition	1
13	KS 3000E-13	Flange Bolt M6*25	10
14	KS 3000E-14	Bolt, Drain plug	2
15	KS 3000E-15	Washer, Drain plug	2
16	KS 3000E-16	Oil seal, 25*41*6	2
17	KS 3000E-17	Crank Case ASSY	1
18	KS 3000E-18	Carburetor ASSY	1
19	KS 3000E-19	Lever COMP, Choke	1
20	KS 3000E-20	Flange Bolt M6*12	15

No	REF. No	DESCRIPTION	QTY
21	KS 3000E-21	Shroud COMP	1
22	KS 3000E-22	Gasket, Carburetor to Air cleaner	1
23	KS 3000E-23	Stay, Air cleaner	1
24	KS 3000E-24	Flange Bolt M6*12	7
25	KS 3000E-25	Bolt, M5*12	4
26	KS 3000E-26	Cover COMP, Air cleaner	1
27	KS 3000E-27	Element, Air cleaner	1
28	KS 3000E-28	Separator, Air cleaner	1
29	KS 3000E-29	Seal, Air cleaner	1
30	KS 3000E-30	Flange Nut M6	2
31	KS 3000E-31	Case COMP, Air cleaner	1
32	KS 3000E-32	Grommet Fender	1
33	KS 3000E-33	Bolt Head, 6*94	2
34	KS 3000E-34	Gasket, Carburetor	1
35	KS 3000E-35	Heat Isolator, Carburetor	1
36	KS 3000E-36	Packing, Heat isolator	1
37	KS 3000E-37	Cylinder Head COMP	1
38	KS 3000E-38	Breather	1
39	KS 3000E-39	Cover COMP, Cylinder head	1
40	KS 3000E-40	Gasket, Cylinder head cover	1

No	REF. No	DESCRIPTION	QTY
41	KS 3000E-41	Flange Bolt M8*60	4
42	KS 3000E-42	Bolt Head, M8*32	2
43	KS 3000E-43	Gasket, Cylinder head	1
44	KS 3000E-44	Pin, Dowel 10*16	2
45	KS 3000E-45	Radial Ball Bearing(6025)	2
46	KS 3000E-46	Spark Plug	1
47	KS 3000E-47	Valve Lifter	2
48	KS 3000E-48	Push Rod	2
49	KS 3000E-49	Plate, Push rod guide	1
50	KS 3000E-50	Bolt, Pivot	2
51	KS 3000E-51	Nut, Valve rocker arm	2
52	KS 3000E-52	Nut, Pivot Adjust	2
53	KS 3000E-53	Valve Rocker Arm	2
54	KS 3000E-54	Piston Pin	1
55	KS 3000E-55	Clip, Piston pin	2
56	KS 3000E-56	Connecting Rod ASSY	1
57	KS 3000E-57	Valve Rotator	1
58	KS 3000E-58	Retainer, Intake valve spring	1
59	KS 3000E-59	Retainer, Ex. valve spring	1
60	KS 3000E-60	Valve Spring	2

No	REF. No	DESCRIPTION	QTY
61	KS 3000E-61	Oil fence	1
62	KS 3000E-62	Valve, Exhaust	1
63	KS 3000E-63	Valve, Intake	1
64	KS 3000E-64	Camshaft	1
65	KS 3000E-65	Key, 25*18	1
66	KS 3000E-66	Crankshaft	1
67	KS 3000E-67	Switch ASSY, Oil level	1
68	KS 3000E-68	Governor Shaft	1
69	KS 3000E-69	Rod, Governor	1
70	KS 3000E-70	Spring, Throttle return	1
71	KS 3000E-71	Governor Arm	1
72	KS 3000E-72	Bolt, Governor arm	1
73	KS 3000E-73	Governor Spring	1
74	KS 3000E-74	Governor ASSY	1
75	KS 3000E-75	Control ASSY	1
76	KS 3000E-76	Packing, Case cover	1
77	KS 3000E-77	Pin, Dowel 8*14	2
78	KS 3000E-78	Cap, Oil filler	1
79	KS 3000E-79	Plat	1
80	KS 3000E-80	Flange Bolt M8*32	6

No	REF. No	DESCRIPTION	QTY
81	KS 3000E-81	Crankcase Cover	1
82	KS 3000E-82	Piston	1
83	KS 3000E-83	Piston Ring Set	1
84	KS 3000E-84	Start Motor	1
87	KS 3000E-87	Gasoline engine, Whole set	1
88	KS 3000E-88	Frame COMP	1
89	KS 3000E-89	Bottom Rubber A	2
90	KS 3000E-90	Bottom Rubber B	2
91	KS 3000E-91	Flange Nut M8	18
92	KS 3000E-92	Flange Nut M6	4
93	KS 3000E-93	Cushion, Frame	4
94	KS 3000E-94	Rubber Pad, Frame	2
95	KS 3000E-95	Earth Terminal Set	1
96	KS 3000E-96	Circuit Breaker	1
97	KS 3000E-97	Receptacle	1
98	KS 3000E-98	Receptacle	1
99	KS 3000E-99	DC Output Post	2
100	KS 3000E-100	Engine Switch	1
101	KS 3000E-101	Control Panel	1
102	KS 3000E-102	Sub Harness	1



No	REF. No	DESCRIPTION	QTY
103	KS 3000E-103	Voltage Option Switch	1
104	KS 3000E-104	Voltage Meter	1
105	KS 3000E-105	Diode ASSY	1
106	KS 3000E-106	Fuse	1
107	KS 3000E-107	Control Panel Case	1
108	KS 3000E-108	Boot, Main Wire Harness	1
109	KS 3000E-109	Boot, AC Output Wire	1
110	KS 3000E-110	Wire Harness ASSY	1
111	KS 3000E-111	Battery	1
112	KS 3000E-112	Positive Wire, Battery	1
113	KS 3000E-113	Battery Cover	1
114	KS 3000E-114	Negative Wire, Battery	1
115	KS 3000E-115	Flange Bolt M5*12	2
116	KS 3000E-116	Alternator Cover	1
117	KS 3000E-117	Flange Bolt M6*125	4
118	KS 3000E-118	Supporting Stand	1
119	KS 3000E-119	Bolt M8*180	1
120	KS 3000E-120	Plain Washer 10	1
121	KS 3000E-121	Bearing 6204-2RS	1
122	KS 3000E-122	Rotator COMP	1
123	KS 3000E-123	Stator & Rotator ASSY	1

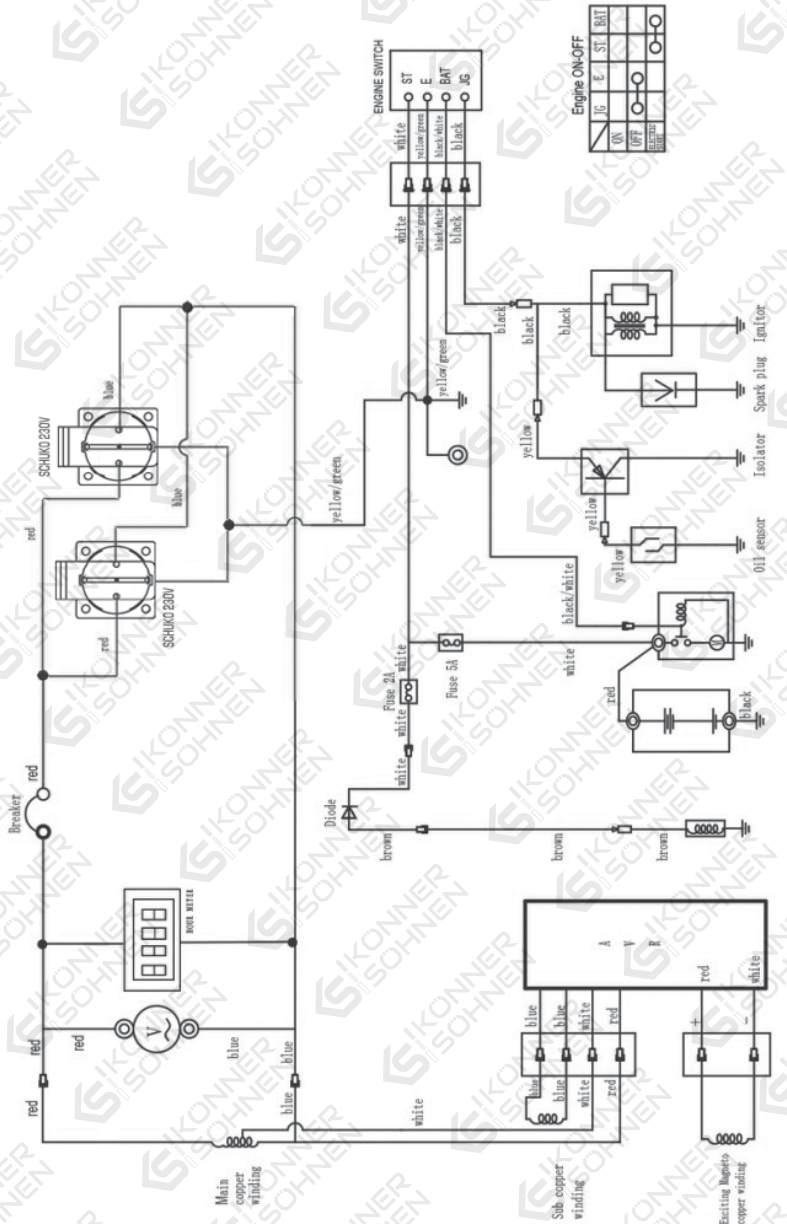
No	REF. No	DESCRIPTION	QTY
124	KS 3000E-124	Generator Fan	1
125	KS 3000E-125	Stator Cover	1
126	KS 3000E-126	Stator ASSY	1
127	KS 3000E-127	Stripe, Fuel Tank	1
128	KS 3000E-128	Fuel Tank	1
129	KS 3000E-129	Fuel Filter	1
130	KS 3000E-130	Cap	1
131	KS 3000E-131	Fuel Sensor	1
132	KS 3000E-132	Screw M5*10	2
133	KS 3000E-133	Gasket, Fuel Tank	1
134	KS 3000E-134	Washer	4
135	KS 3000E-135	Collar	4
136	KS 3000E-136	Cushion	4
137	KS 3000E-137	Outlet Pipe 4.5*165	1
138	KS 3000E-138	Tube Clip	2
139	KS 3000E-139	Fuel Cock	1
140	KS 3000E-140	Handles	2
141	KS 3000E-141	Flange Bolt M8*16	17
142	KS 3000E-142	Muffler	1
143	KS 3000E-143	Muffler Gasket	1
144	KS 3000E-144	Exhaust Pipe COMP	1

No	REF. No	DESCRIPTION	QTY
145	KS 3000E-145	Flange Bolt M8*25	2
146	KS 3000E-146	Exhaust Pipe Gasket	1
147	KS 3000E-147	Muffler Guard	1
148	KS 3000E-148	Muffler Stay	1
149	KS 3000E-149	Supporting Plate	1
150	KS 3000E-150	Wheel ASSY	1
151	KS 3000E-151	Pin	2
152	KS 3000E-152	Washer 20	2
153	KS 3000E-153	Wheel COMP	2
154	KS 3000E-154	Well Shaft	1
155	KS 3000E-155	Bracket	2
156	KS 3000E-156	Voltage Regulator	1
157	KS 3000E-157	Brush ASSY	1
158	KS 3000E-158	Circuit Protector (10A)	1
159	KS 3000E-159	Recharge Indicator	1
160	KS 3000E-160	DC 12V Voltage Regulator	1
161	KS 3000E-161	LCD display	1
162	KS 3000E-162	Oil indicator	1
188	KS 3900E G-188	LPG inlet tube with reducing valve	1
189	KS 3900E G-189	De-compressor	1
190	KS 3900E G-190	Clip, pressure tube	1
191	KS 3900E G-191	Pressure tube	1
192	KS 3900E G-192	Exhaust tube	1

# 9. ELECTRIC SCHEME

Pic. 9.1.

For models KS 3000E, KS 3900E G



## **CONTACTS**

**[konner-sohnen.com](http://konner-sohnen.com)**

**Germany**

**[info@dimaxgroup.de](mailto:info@dimaxgroup.de)**

**Poland**

**[info.pl@dimaxgroup.de](mailto:info.pl@dimaxgroup.de)**

**Ukraine**

**[sales@ks-power.com.ua](mailto:sales@ks-power.com.ua)**